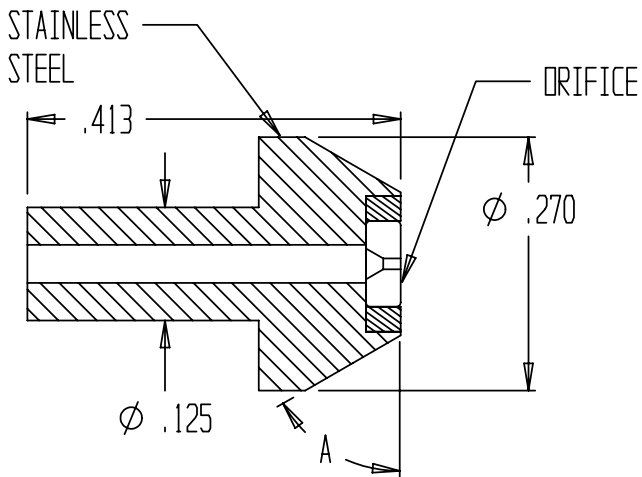




524 TINDALL AVENUE
TRENTON, NEW JERSEY
08610

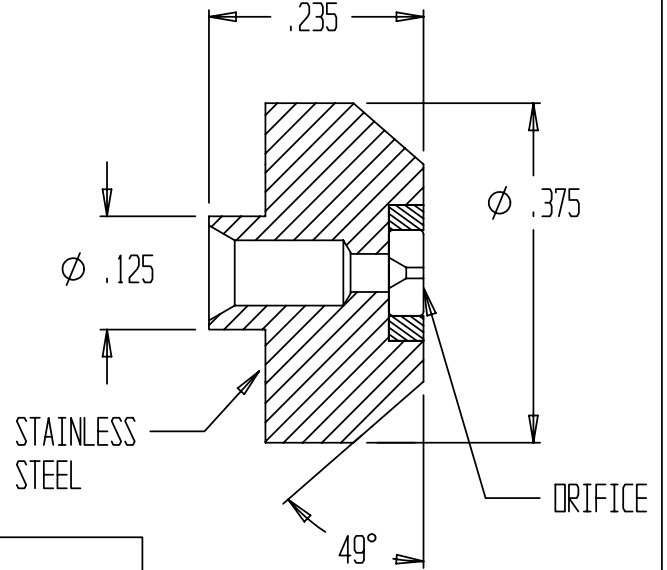
PHONE: 609-396-1577
800-882-0105 FAX: 609-695-4339

GATTI WATER JET DRIFICE ASSEMBLIES



A TYPE

- 60° → 2720
- 48° → 2908



TYPE 2822

SAPPHIRE AND
DIAMOND DRIFICES
SIZES .003 AND UP
QUICK DELIVERY

TYPE 2936

TYPE 3106

