



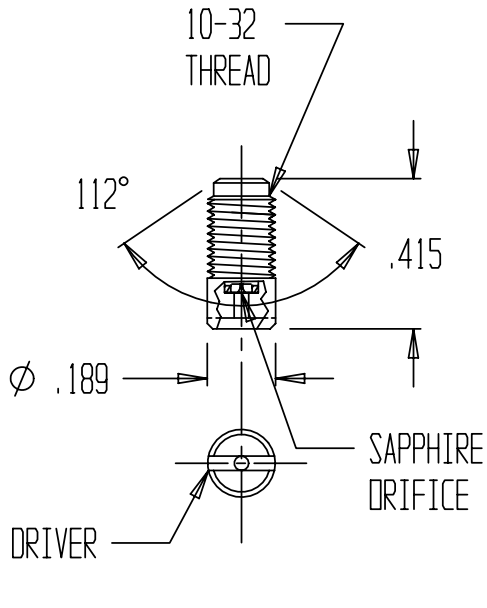
524 TINDALL AVENUE
TRENTON, NEW JERSEY
08610

PHONE: 609-396-1577
800-882-0105

FAX: 609-695-4339

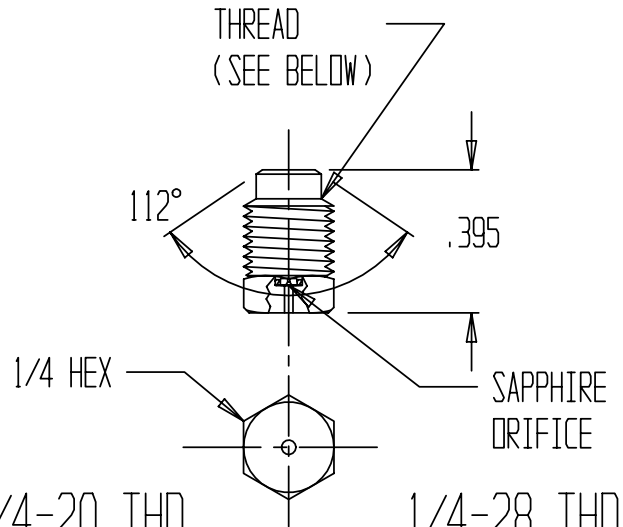
GATTI HI-PERFORMANCE ORIFICE ASSEMBLIES

DIMENSIONS ARE IN INCHES



PLUG P/N 3053

P/N 3054



1/4-20 THD

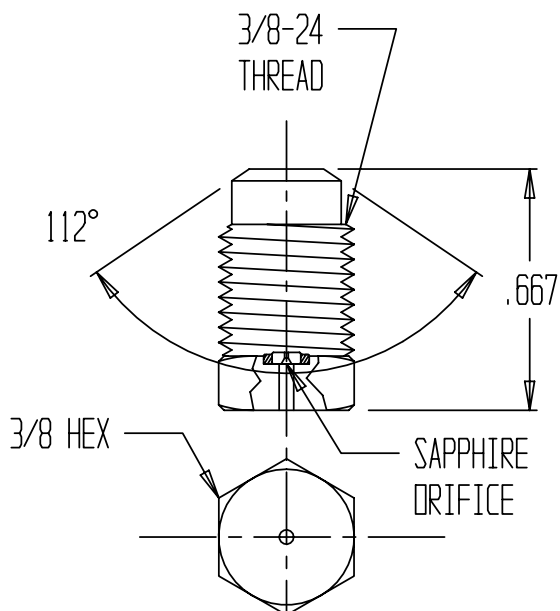
P/N 3035

PLUG P/N 3050

1/4-28 THD

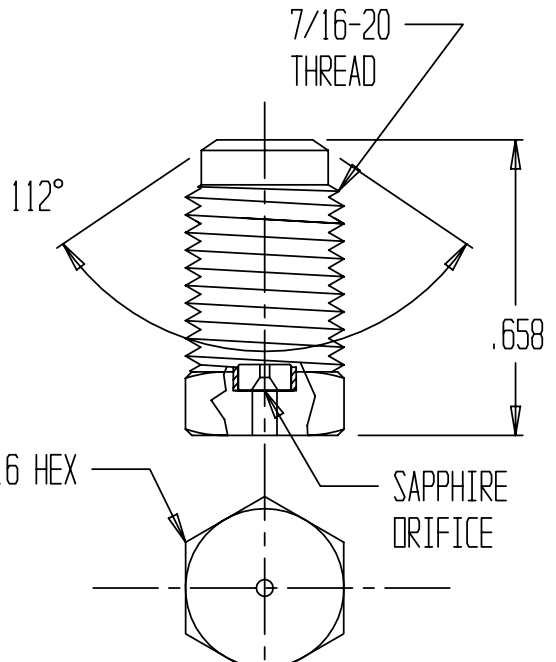
P/N 3026

PLUG P/N 3049



PLUG P/N 3045

P/N 3024



PLUG P/N 3108

P/N 3076